

BACHELOR OF SCIENCE IN DESIGN & DRAFTING TECHNOLOGY

MECHANICAL DESIGN TECHNOLOGY (PRODUCT/MACHINE)

Begin Your Path to a Lucrative Career

From cereal boxes to 3D structures and even parts for the International Space Station, the Bachelor of Science in Design and Drafting Technology (CADD) at the University of Central Missouri prepares you for an in-demand career that is both technical and creative. With this degree, you will be qualified to work in nearly any field of architecture, engineering and manufacturing. Our graduates are highly successful, and here's why:

- The need for design and drafting professionals has grown, and **employers actively recruit UCM students.**
- Almost all UCM CADD students receive **full-time job offers before they graduate.**
- The average starting salary for UCM CADD graduates is **\$50,000+**.
- Some courses are conveniently offered at both our **Warrensburg and Lee's Summit campuses.**
- Some courses are also offered **online** for added flexibility.

**No Calculus
required* – only
College Algebra
and Trigonometry!**

*Already taking Calculus?
It counts for both Algebra
and Trig!



Engage in Hands-On Learning

Mechanical design technology creates products and machines using CAD software and simulations. It requires creativity, engineering knowledge, and technical skills to meet safety and quality standards. Study mechanical design technology and gain hands-on experiences including:

- Mechanical product/machine design
- CADD design
- Mechanical/electrical/plumbing (MEP) design
- 3D modeling and printing
- Detailing
- Industrial Design
- Management skills

Discover Your Passion

Our undergraduate program prepares you for a variety of fulfilling career paths and advancement opportunities, including:

- Mechanical Designer
- Piping Designer
- Structural Designer
- MEP Designer
- Project Lead Designer
- Mechanical Design Engineer Technologist
- CADD Manager
- Section Manager
- CAD/Engineering Technician
- And more!

Program Accreditation and Facilities

The University of Central Missouri's Design & Drafting technology program is one of the few four-year bachelor's degree programs in the country **accredited by the Association of Technology, Management, and Applied Engineering (ATMAE)**. Our facilities rank among the most technologically advanced in the Midwest, housing more than 80 computers for students, the latest workstations, software and 3D printers.

**100% JOB
PLACEMENT**

for CADD graduates in recent
years and **paid internship
opportunities** available



The Association of
Technology,
Management, and
Applied Engineering



UNIVERSITY OF
**CENTRAL
MISSOURI**

ucmo.edu/mechanical-design

Benefit from Experiential Learning

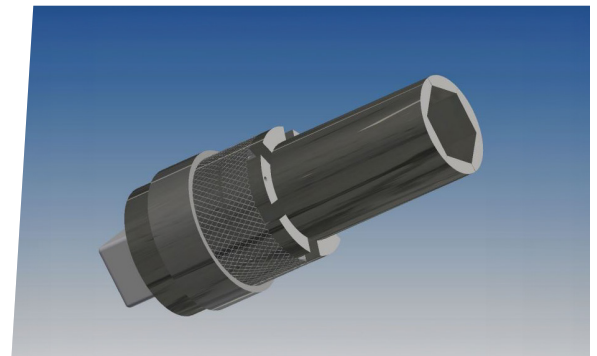
UCM offers experiential learning to help you grow your knowledge and boost your résumé. Our expert faculty collaborate with industry leaders at global and national engineering firms to stay up-to-date on the latest career opportunities. They will guide you to **paid internship opportunities** to advance your skills and land the career you want. UCM Design and Drafting Technology also has two **student organizations** – the American Institute of Building Design (AIBD) and the Design and Drafting Student Association (DDSA) – that will provide you with leadership opportunities and a supportive environment to network with fellow CADD students, faculty and industry professionals.



Make a Difference

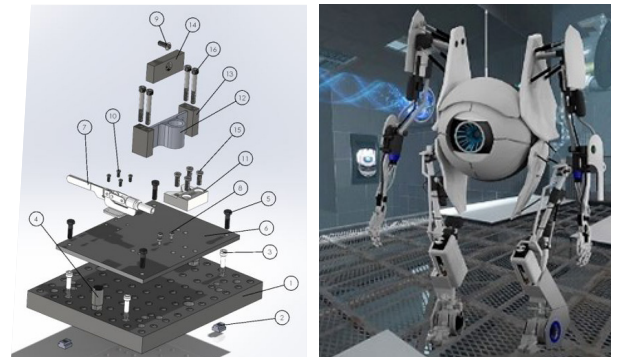
UCM’s CADD program allows you to lead projects that make a real difference in the community. Recent student projects have included:

- A tactile 3D map for the Office of Accessibility Services that gives individuals with low vision a realistic sense of the UCM campus.
- 3D-printed ear guards to help local health care workers who wear protective gear for long hours.
- A redesign of Whiteman Air Force Base’s dining hall.



Fund Your Education

UCM Scholarship Finder makes it easy to find 665+ scholarships! The application portal is open from Sept. 15 to March 15. To improve your chances of being selected, complete your application before the priority deadline of Feb. 1. UCM also offers a variety of scholarships exclusively for CADD majors. Preview what you may qualify for at ucmo.edu/scholarshipfinder. Federal financial aid is also available. Be sure to use UCM’s FAFSA code, **002454**.

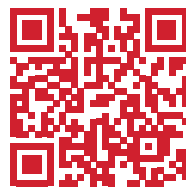


CONTACT US!

College of Health, Science, and Technology
University of Central Missouri

Dr. Roya Azimzadeh

Program Coordinator
Grinstead Building 207E
660-543-4062
azimzadeh@ucmo.edu



Scan for more information

- Facebook: @UCMCADD
- Instagram: @UCM.CADD
- Twitter: @UCM_CADD

